

Automation Devices

10.25 Manual Motor Starters - Main Accessories



PS2-2-0-125



PS2-3-0-125



KA165



BS2-3



SA2

MS165, MO165 - Main accessories

Suitable for	Rated operational current A	Number of MMS	Number of lateral aux.	Type	Order code
Three-phase busbars					
MS165, MO165	125	2	0	PS2-2-0-125	1SAM401920R1002
	125	3	0	PS2-3-0-125	1SAM401920R1003
	125	4	0	PS2-4-0-125	1SAM401920R1004
	125	2	2	PS2-2-2-125	1SAM401920R1022
	125	3	2	PS2-3-2-125	1SAM401920R1023
	125	4	2	PS2-4-2-125	1SAM401920R1024

Suitable for	Description	Type	Order code
MS165, MO165	Terminal shroud	KA165	1SAM401922R1001
	Protection cover for busbars	BS2-3	1SAM401921R1001
	Padlock + two keys	SA2	GJF1101903R0002

General Accessories

10.25 MS1xx, MOxx, MS49x, MO49x



MSHD-LB



MSHD-LY



MSMN



MSH-AR



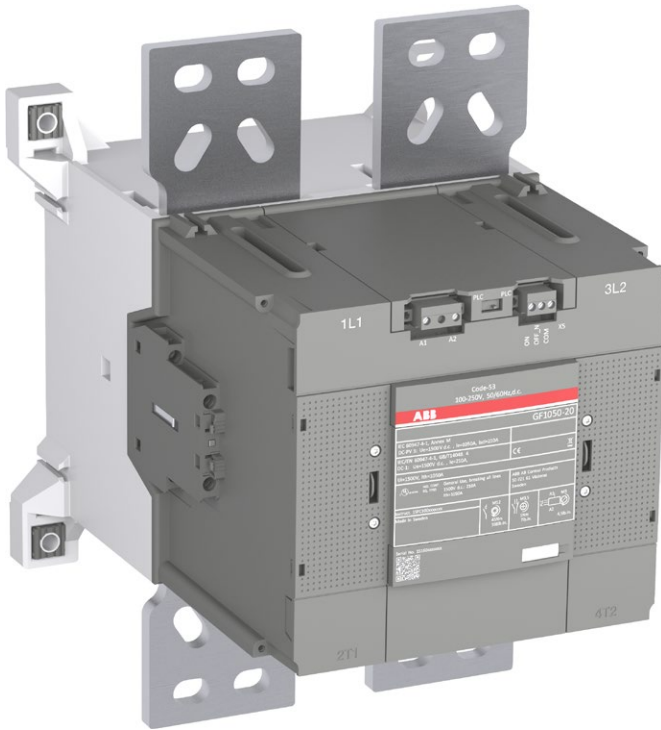
MSAH1

RHD Normal
Direct Handle

Suitable for	Description	Shaft length mm	Color	Type	Order code
Shafts					
MS116, MS132, MO132, MS165, MO165, MS4xx, MO4xx	For MSHD handles. Shaft diameter 6 mm. Shaft extension for door coupling driver.	85		OX56X85	1SCA101647R1001
		105		OX56X105	1SCA108043R1001
		130		OX56X130	1SCA101655R1001
		180		OX56X180	1SCA101659R1001
IP64 handles (UL/CSA Type 1, 3R, 12)					
MS116, MS132, MO132, MS165, MO165, MS4xx, MO4xx	Padlockable max. 3 padlocks with bail diameter 5 ... 8 mm, door interlock in ON position defeatable, for use with 6 mm OXS6...types up to 180 mm or driver shafts MSOX.		Black	MSHD-LB	1SAM201920R1001
			Yellow	MSHD-LY	1SAM201920R1002
			Black	MSHD-LTB	1SAM201920R1011
			Yellow	MSHD-LTY	1SAM201920R1012
Driver					
MS116, MS132, MO132, MS165, MO165, MS4xx, MO4xx	Coupling driver for use with 6 mm OXS6... types up to 180 mm.			MSMN	1SAM101923R0002
				MSMNO	1SAM101923R0012
Shaft alignment ring					
MS116, MS132, MO132, MS165, MO165, MS4xx, MO4xx	The MSH-AR supports the long shafts for alignment to the handle inlet. It makes closing panel doors more easy. Use for OXS6X > 105 mm.			MSH-AR	1SAM201920R1000
Shaft supporter					
MS116, MS132, MO132,	With the MSAH1 it is possible to support the shaft in the extension of handle (MSHD). It is mandatory for the usage of shafts >130 mm.			MSAH1	1SAM201909R1021

Contactors for PV solar

10.25 GF875 ... GF1050 contactors



The renewable energy industry is continuously striving towards increasing its efficiency in order to compete with traditional power sources. Photovoltaic (PV) solar power is one of the sources leading the way. In moving from 1000V DC to 1500 V DC, costs of utility-scale power plants are greatly reduced.

The GF range of contactors expands ABB's current AF and GAF PV solar product offering by adding contactor switching capabilities for 1500 V DC.



Energy Efficiency

GF contactors offer tailored solutions to enable remote, automatic and energy efficient switching of 1500 V DC circuits in central PV inverter optimization. The GF contactors are built with ABB's standard low energy electronic coils for safe and controlled operation.



Continuous operation

The GF contactor features AF technology with continuous voltage and current control during the contactors operation. This ensures distinct, safe and energy efficient operations even in unstable networks. Voltage sags, dips or surges pose no threat. The GF contactor secures application uptime.



Speed up your projects

ABB's GF contactor complies with all major international standards. It features AC/DC controlled wide voltage range coils together with easily accessible coil terminals to make easier and quicker product selection and installation.

SECTION 11

Advanced Control Products

Softstarters, Universal Motor Controller & Arc Guard System™

Softstarters

PSR – The Compact Range (Ordering Details)	11.1
PSR – The Compact Range (Accessories)	11.2
PSE – The efficient range	11.3
PSE – The efficient range (Accessories)	11.4
PSTX – The advanced range (Normal starts, class 10, in-line, ordering details)	11.5
PSTX – The advanced range (Heavy-duty, class 30, in-line, ordering details)	11.6
PSTX – The advanced range (Accessories)	11.7
Fieldbus Communication (Ordering details)	11.8

Universal Motor Controller

Motor Management System – UMC100.3 (Ordering details)	11.9
(Fieldbus communication interfaces, Ordering details)	11.10
(Ethernet communication interfaces, Ordering details)	11.11
Universal Motor Controller (UMC100-FBP, Ordering details)	11.12

PSR – The Compact Range

11.1 Ordering Details

Description

Selection table for normal start. Typical applications:

- Bow thruster
- Centrifugal pump
- Compressor
- Conveyor belt (short)
- Elevator

For a more precise selection, use the online softstarter selection tool available by using the selection tool available on: new.abb.com/low-voltage/products/softstarters



PSR3 ... PSR16



PSR25 ... PSR30

Rated operational voltage U_e , 208-600 V

Rated control supply voltage U_c , 100-240 V AC, 50/60 Hz

IEC					Type	Order code
Rated operational power			current			
230 V P_e kW	400 V P_e kW	500 V P_e kW	I_e A			
0.75	1.5	2.2	3.9		PSR3-600-70	1SFA896103R7000
1.5	3	4	6.8		PSR6-600-70	1SFA896104R7000
2.2	4	4	9		PSR9-600-70	1SFA896105R7000
3	5.5	5.5	12		PSR12-600-70	1SFA896106R7000
4	7.5	7.5	16		PSR16-600-70	1SFA896107R7000
5.5	11	15	25		PSR25-600-70	1SFA896108R7000
7.5	15	18.5	30		PSR30-600-70	1SFA896109R7000
7.5	18.5	22	37		PSR37-600-70	1SFA896110R7000
11	22	30	45		PSR45-600-70	1SFA896111R7000
15	30	37	60		PSR60-600-70	1SFA896112R7000
22	37	45	72		PSR72-600-70	1SFA896113R7000
22	45	55	85		PSR85-600-70	1SFA896114R7000
30	55	55	105		PSR105-600-70	1SFA896115R7000

Rated operational voltage U_e , 208-600 V

Rated control supply voltage U_c , 24 V AC/DC, 50/60 Hz

IEC					Type	Order code
Rated operational power			current			
230 V P_e kW	400 V P_e kW	500 V P_e kW	I_e A			
0.75	1.5	2.2	3.9		PSR3-600-11	1SFA896103R1100
1.5	3	4	6.8		PSR6-600-11	1SFA896104R1100
2.2	4	4	9		PSR9-600-11	1SFA896105R1100
3	5.5	5.5	12		PSR12-600-11	1SFA896106R1100
4	7.5	7.5	16		PSR16-600-11	1SFA896107R1100
5.5	11	15	25		PSR25-600-11	1SFA896108R1100
7.5	15	18.5	30		PSR30-600-11	1SFA896109R1100
7.5	18.5	22	37		PSR37-600-11	1SFA896110R1100
11	22	30	45		PSR45-600-11	1SFA896111R1100
15	30	37	60		PSR60-600-11	1SFA896112R1100
22	37	45	72		PSR72-600-11	1SFA896113R1100
22	45	55	85		PSR85-600-11	1SFA896114R1100
30	55	55	105		PSR105-600-11	1SFA896115R1100



PSR37 ... PSR45



PSR60 ... PSR105

PSR – The Compact Range

11.2 Accessories



PSR16-MS116



PSR30-MS132



PSR45-MS450



PSR105-MS495



PSR-FAN3-45A



PSR-FAN60-105A



PSLW



PS-FBPA

Connection kit

For softstarter type	Type	Order code
PSR3 ... PSR16 with MS116 or MS132	PSR16-MS116	1SFA896211R1001
PSR25 ... PSR30 with MS132-12 ... MS132-32	PSR30-MS132	1SFA896212R1001
PSR37 ... PSR45 with MS165	PSR45-MS165	1SFA896213R1001
PSR60 ... PSR72 with MS165	PSR60-MS165	1SFA896215R1001
PSR60 ... PSR105 with MS495	PSR105-MS495	1SAM501903R1001

Fan

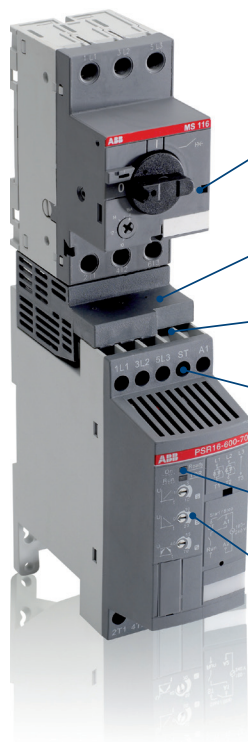
For softstarter type	Type	Order code
PSR3 ... PSR45	PSR-FAN3-45A	1SFA896311R1001
PSR60 ... PSR105	PSR-FAN60-105A	1SFA896313R1001

Terminal enlargements

For softstarter type	Type	Order code
PSR60 ... PSR105	PSLW-72	1SFA899002R1072
Wire range mm ² 1 x 10...50 mm ² , 2 x 10...25 mm ²		

FieldBusPlug connection accessory

For softstarter type	Type	Order code
PSR3 ... PSR105	PS-FBPA	1SFA896312R1002



Motor protection with manual motor starter

Use the PSR together with the MMS to get a complete motor starter with soft start and stop together with overload and short circuit protection.



Connection kit (optional)

The connection kits simplifies installation of the PSR by making the connection to the MMS screwless.



Screw or DIN-rail mounted

PSR is fast and easy to install by using screw mounting or DIN-rail mounting (PSR3 ... PSR45).



Output signal relays

PSR has output relays for Run and Top of ramp (PSR25 ... PSR105).



LED indicators

PSR has LED indicators for On/Ready and Run/Top of ramp.



Three potentiometers for settings

Set-up is made very easy with only three potentiometers, for start ramp time, stop ramp time and initial/end voltage level.

PSE – The Efficient Range

11.3 Ordering Details

Normal starts, class 10, in-line,

Description

Selection table for normal start. Typical applications:

- Bow thruster
- Elevator
- Centrifugal pump
- Conveyor belt (short)
- Compressor

If more than 10 starts/h, select one size larger than the standard selection. For a more precise selection, use the online softstarter selection tool available by using the selection tool available on: new.abb.com/low-voltage/products/softstarters

Rated operational voltage U_e, 208-600 V

Rated control supply voltage U_c, 100-240 V AC, 50/60 Hz



PSE18 ... PSE105



PSE142 ... PSE170

IEC					Type	Order code
Rated operational power			current			
230 V P _e kW	400 V P _e kW	500 V P _e kW	I _e A			
4	7,5	11	18	PSE18-600-70	1SFA897101R7000	
5,5	11	15	25	PSE25-600-70	1SFA897102R7000	
7,5	15	18,5	30	PSE30-600-70	1SFA897103R7000	
9	18,5	22	37	PSE37-600-70	1SFA897104R7000	
11	22	30	45	PSE45-600-70	1SFA897105R7000	
15	30	37	60	PSE60-600-70	1SFA897106R7000	
18,5	37	45	72	PSE72-600-70	1SFA897107R7000	
22	45	55	85	PSE85-600-70	1SFA897108R7000	
30	55	75	106	PSE105-600-70	1SFA897109R7000	
40	75	90	143	PSE142-600-70	1SFA897110R7000	
45	90	110	171	PSE170-600-70	1SFA897111R7000	
59	110	132	210	PSE210-600-70-1	1SFA897112R7001	
75	132	160	250	PSE250-600-70-1	1SFA897113R7001	
90	160	200	300	PSE300-600-70-1	1SFA897114R7001	
110	200	250	370	PSE370-600-70-1	1SFA897115R7001	

Heavy-duty, class 30, in-line,

Description

Selection table for normal start. Typical applications:

- Centrifugal fan
- Mill
- Conveyor belt (long)
- Mixer
- Crusher
- Stirrer

If more than 10 starts/h, select one size larger than the standard selection. For a more precise selection, use the online softstarter selection tool available by using the selection tool available on: new.abb.com/low-voltage/products/softstarters

Rated operational voltage U_e, 208-600 V

Rated control supply voltage U_c, 100-250 V AC, 50/60 Hz



PSE18 ... PSE105

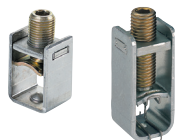


PSE142 ... PSE170

IEC					Type	Order code
Rated operational power			current			
230 V P _e kW	400 V P _e kW	500 V P _e kW	I _e A			
3	5,5	7,5	12	PSE18-600-70	1SFA897101R7000	
4	7,5	11	18	PSE25-600-70	1SFA897102R7000	
5,5	11	15	25	PSE30-600-70	1SFA897103R7000	
7,5	15	18,5	30	PSE37-600-70	1SFA897104R7000	
9	18,5	22	37	PSE45-600-70	1SFA897105R7000	
11	22	30	45	PSE60-600-70	1SFA897106R7000	
15	30	37	60	PSE72-600-70	1SFA897107R7000	
18,5	37	45	72	PSE85-600-70	1SFA897108R7000	
22	45	55	85	PSE105-600-70	1SFA897109R7000	
30	55	75	106	PSE142-600-70	1SFA897110R7000	
40	75	90	143	PSE170-600-70	1SFA897111R7000	
45	90	110	171	PSE210-600-70-1	1SFA897112R7001	
59	110	132	210	PSE250-600-70-1	1SFA897113R7001	
75	132	160	250	PSE300-600-70-1	1SFA897114R7001	
90	160	200	300	PSE370-600-70-1	1SFA897115R7001	

PSE – The Efficient Range

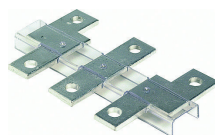
11.4 Accessories



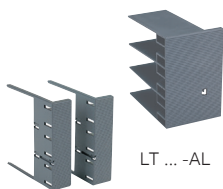
LZ...



LW...



LT ... -AL



LT ... -AC



PSEEK



PSECA



PS-FBPA

Cable connec cables

For softstarter type	Wire range	Tightening torque max.	Type	Order code	Pkg qty
	mm ²	Nm			
PSE142 ... PSE170	6...120	14	-	1SDA066917R1	3
PSE142 ... PSE170	2 x (50...120)	16	LZ185-2C/120	1SFN074709R1000	3
PSE210 ... PSE370	16...300	25	-	1SDA055016R1	3

Cable connectors for Al and Cu cables

For softstarter type	Wire range	Tightening torque max.	Type	Order code	Pkg qty
	mm ²	Nm			
PSE142 ... PSE170	95...185	31	-	1SDA054988R1	3
PSE210 ... PSE370	185...240	43	-	1SDA055020R1	3

Terminal enlargements

For softstarter type	Dimensions		Type	Order code	Pkg qty
	hole ø	bar			
	mm ²	mm ²			
PSE18 ... PSE105	6.5	15 x 3	LW110	1SFN074307R1000	1
PSE142 ... PSE170	10.5	17.5 x 5	LW185	1SFN074707R1000	1
PSE210 ... PSE370	10.5	20 x 5	LW300	1SFN075107R1000	1

Terminal shrouds

For softstarter type	Req. qty	Type	Order code	Pkg qty
PSE142 ... PSE170, short for use with cable clamps	2	LT185-AC	1SFN124701R1000	2
PSE142 ... PSE170, long for use with compression lugs	2	LT185-AL	1SFN124703R1000	2
PSE210 ... PSE370, short for use with cable clamps	2	LT300-AC	1SFN125101R1000	2
PSE210 ... PSE370, long for use with compression lugs	2	LT300-AL	1SFN125103R1000	2

External keypad including a 3m cable

For softstarter type	Type	Order code	Pkg qty
PSE18 ... PSE370	PSEEK	1SFA897100R1001	1

USB cable for Service Engineer Tool

For softstarter type	Type	Order code	Pkg qty
PSE18 ... PSE370	PSECA	1SFA897201R1001	1

FieldBusPlug connection accessory

For softstarter type	Type	Order code	Pkg qty
PSE18 ... PSE370	PS-FBPA	1SFA896312R1002	1

PSTX – The Advanced Range

11.5 Normal Starts, Class 10, In-line, Ordering Details

Description

Selection table for normal start. Typical applications:

- Bow thruster
- Elevator
- Centrifugal pump
- Conveyor belt (short)
- Compressor

For a more precise selection, use the online softstarter selection tool available by using the selection tool available on:
new.abb.com/low-voltage/products/softstarters

Rated operational voltage U_e , 208-600 V

Rated control supply voltage U_c , 100-250 V AC, 50/60 Hz



PSTX142 ... PSTX170



PSTX470 ... PSTX570

IEC				Type	Order code
Rated operational power			current		
400 V	500 V	690 V			
P_e kW	P_e kW	P_e kW	I_e A		
15	18,5	-	30	PSTX30-600-70	1SFA898103R7000
18,5	22	-	37	PSTX37-600-70	1SFA898104R7000
22	25	-	45	PSTX45-600-70	1SFA898105R7000
30	37	-	60	PSTX60-600-70	1SFA898106R7000
37	45	-	72	PSTX72-600-70	1SFA898107R7000
45	55	-	85	PSTX85-600-70	1SFA898108R7000
55	75	-	106	PSTX105-600-70	1SFA898109R7000
75	90	-	143	PSTX142-600-70	1SFA898110R7000
90	110	-	171	PSTX170-600-70	1SFA898111R7000
110	132	-	210	PSTX210-600-70	1SFA898112R7000
132	160	-	250	PSTX250-600-70	1SFA898113R7000
160	200	-	300	PSTX300-600-70	1SFA898114R7000
200	257	-	370	PSTX370-600-70	1SFA898115R7000
250	315	-	470	PSTX470-600-70	1SFA898116R7000
315	400	-	570	PSTX570-600-70	1SFA898117R7000
400	500	-	720	PSTX720-600-70	1SFA898118R7000
450	600	-	840	PSTX840-600-70	1SFA898119R7000
560	730	-	1050	PSTX1050-600-70	1SFA898120R7000
710	880	-	1200	PSTX1250-600-70	1SFA898121R7000

Rated operational voltage U_e , 208-690 V

Rated control supply voltage U_c , 100-250 V AC, 50/60 Hz



PSTX210 ... PSTX370



PSTX1050 ... PSTX1250

IEC				Type	Order code
Rated operational power			current		
400 V	500 V	690 V			
P_e kW	P_e kW	P_e kW	I_e A		
15	18,5	25	30	PSTX30-690-70	1SFA898203R7000
18,5	22	30	37	PSTX37-690-70	1SFA898204R7000
22	25	37	45	PSTX45-690-70	1SFA898205R7000
30	37	55	60	PSTX60-690-70	1SFA898206R7000
37	45	59	72	PSTX72-690-70	1SFA898207R7000
45	55	75	85	PSTX85-690-70	1SFA898208R7000
55	75	90	106	PSTX105-690-70	1SFA898209R7000
75	90	132	143	PSTX142-690-70	1SFA898210R7000
90	110	160	171	PSTX170-690-70	1SFA898211R7000
110	132	184	210	PSTX210-690-70	1SFA898212R7000
132	160	220	250	PSTX250-690-70	1SFA898213R7000
160	200	257	300	PSTX300-690-70	1SFA898214R7000
200	257	355	370	PSTX370-690-70	1SFA898215R7000
250	315	450	470	PSTX470-690-70	1SFA898216R7000
315	400	560	570	PSTX570-690-70	1SFA898217R7000
400	500	710	720	PSTX720-690-70	1SFA898218R7000
450	600	800	840	PSTX840-690-70	1SFA898219R7000
560	730	1000	1050	PSTX1050-690-70	1SFA898220R7000
710	880	1200	1250	PSTX1250-690-70	1SFA898221R7000

PSTX – The Advanced Range

11.6 Heavy-duty, Class 30, In-line, Ordering Details

Description

Selection table for heavy-duty start. Typical applications:

- Centrifugal fan
- Mill
- Conveyor belt (long)
- Mixer
- Crusher
- Stirrer

For a more precise selection, use the online softstarter selection tool available by using the selection tool available on: new.abb.com/low-voltage/products/softstarters

Rated operational voltage U_e, 208-600 V

Rated control supply voltage U_c, 100-250 V AC, 50/60 Hz



PSTX142 ... PSTX170



PSTX470 ... PSTX570

IEC				Type	Order code
Rated operational power			current		
400 V	500 V	690 V			
P _e kW	P _e kW	P _e kW	I _e A		
11	15	-	22	PSTX30-600-70	1SFA898103R7000
15	18,5	-	30	PSTX37-600-70	1SFA898104R7000
18,5	22	-	37	PSTX45-600-70	1SFA898105R7000
22	25	-	45	PSTX60-600-70	1SFA898106R7000
30	37	-	60	PSTX72-600-70	1SFA898107R7000
37	45	-	72	PSTX85-600-70	1SFA898108R7000
45	55	-	85	PSTX105-600-70	1SFA898109R7000
55	75	-	106	PSTX142-600-70	1SFA898110R7000
75	90	-	143	PSTX170-600-70	1SFA898111R7000
90	110	-	171	PSTX210-600-70	1SFA898112R7000
110	132	-	210	PSTX250-600-70	1SFA898113R7000
132	160	-	250	PSTX300-600-70	1SFA898114R7000
160	200	-	300	PSTX370-600-70	1SFA898115R7000
200	257	-	370	PSTX470-600-70	1SFA898116R7000
250	315	-	470	PSTX570-600-70	1SFA898117R7000
315	400	-	570	PSTX720-600-70	1SFA898118R7000
400	500	-	720	PSTX840-600-70	1SFA898119R7000
450	600	-	840	PSTX1050-600-70	1SFA898120R7000
560	730	-	1050	PSTX1250-600-70	1SFA898121R7000

Rated operational voltage U_e, 208-600 V

Rated control supply voltage U_c, 100-250 V AC, 50/60 Hz



PSTX210 ... PSTX370



PSTX720 ... PSTX840

IEC				Type	Order code
Rated operational power			current		
400 V	500 V	690 V			
P _e kW	P _e kW	P _e kW	I _e A		
11	15	18,5	22	PSTX30-690-70	1SFA898203R7000
15	18,5	25	30	PSTX37-690-70	1SFA898204R7000
18,5	22	30	37	PSTX45-690-70	1SFA898205R7000
22	25	37	44	PSTX60-690-70	1SFA898206R7000
30	37	55	60	PSTX72-690-70	1SFA898207R7000
37	45	59	72	PSTX85-690-70	1SFA898208R7000
45	55	75	85	PSTX105-690-70	1SFA898209R7000
55	75	90	106	PSTX142-690-70	1SFA898210R7000
75	90	132	143	PSTX170-690-70	1SFA898211R7000
90	110	160	171	PSTX210-690-70	1SFA898212R7000
110	132	184	210	PSTX250-690-70	1SFA898213R7000
132	160	220	250	PSTX300-690-70	1SFA898214R7000
160	200	257	300	PSTX370-690-70	1SFA898215R7000
200	257	355	370	PSTX470-690-70	1SFA898216R7000
250	315	450	470	PSTX570-690-70	1SFA898217R7000
315	400	560	570	PSTX720-690-70	1SFA898218R7000
400	500	710	720	PSTX840-690-70	1SFA898219R7000
450	600	800	840	PSTX1050-690-70	1SFA898220R7000
560	730	1000	1050	PSTX1250-690-70	1SFA898221R7000

PSTX – The Advanced Range

11.7 Accessories



LZ...

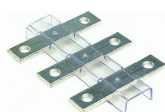
Cable connectors for Cu cables

For softstarter type	Wire range	Tightening torque max.	Type	Order code	Pkg qty
	mm ²	Nm			
PSTX142 ... PSTX170	6...120	8	-	1SDA066917R1	3
PSTX142 ... PSTX170	2 x (50...95)	16	LZ185-2C/120	1SFN074709R1000	3
PSTX210 ... PSTX370	16...240	25	-	1SDA055016R1	3
PSTX210 ... PSTX370	2 x (70...185)	22	OZXB4	1SCA022194R0890	3
PSTX720 ... PSTX840	2 x (120...240)	35	-	1SDA013922R1	3
PSTX570 ... PSTX1050	3 x (70...185)	45	-	1SDA013956R1	3

Cable connectors for Al cables

For softstarter type	Wire range	Tightening torque max.	Type	Order code	Pkg qty
	mm ²	Nm			
PSTX142 ... PSTX170	95...185	31	-	1SDA054988R1	3
PSTX210 ... PSTX370	185...240	43	-	1SDA055020R1	3
PSTX470 ... PSTX570	2 x (120...240)	31	-	1SDA023380R1	3

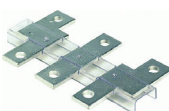
Terminal extensions



LX...

For softstarter type	Dimensions		Type	Order code	Pkg qty
	hole ø	bar			
	mm ²	mm ²			
PSTX142 ... PSTX170	8,5	17.5 x 5	LX205	1SFN074810R1000	1
PSTX210 ... PSTX370	10,5	20 x 5	LX370	1SFN075410R1000	1
PSTX470 ... PSTX570	10,5	25 x 5	LX460	1SFN075710R1000	1
PSTX720 ... PSTX840	13	40 x 6	LX750	1SFN076110R1000	1

Terminal enlargements



LW...

For softstarter type	Dimensions		Type	Order code	Pkg qty
	hole ø	bar			
	mm ²	mm ²			
PSTX30 ... PSTX105	6,5	15 x 3	LW110	1SFN074307R1000	1
PSTX142 ... PSTX170	10,5	17.5 x 5	LW205	1SFN074807R1000	1
PSTX210 ... PSTX370	10,5	20 x 5	LW370	1SFN075407R1000	1
PSTX470 ... PSTX570	10,5	25 x 5	LW460	1SFN075707R1000	1
PSTX720 ... PSTX840	13	40 x 6	LW750	1SFN076107R1000	1

Terminal shrouds

LT ... -AC
LT ... -C

For softstarter type	Req. qty	Type	Order code	Pkg qty
PSTX142 ... PSTX170, short for use with cable clamps	2	LT205-30C	1SFN124801R1000	2
PSTX142 ... PSTX170, long for use with compression lugs	2	LT205-30L	1SFN124803R1000	2
PSTX210 ... PSTX370, short for use with cable clamps	2	LT370-30C	1SFN125401R1000	2
PSTX210 ... PSTX370, long for use with compression lugs	2	LT370-30L	1SFN125403R1000	2
PSTX210 ... PSTX370, long and deep for use with extending cable clamps, ATK300/2 and OZXB4	2	LT370-30D	1SFN125406R1000	2
PSTX470 ... PSTX570, short for use with cable clamps	2	LT460-AC	1SFN125701R1000	2
PSTX470 ... PSTX570, long for use with compression lugs	2	LT460-AL	1SFN125703R1000	2
PSTX720 ... PSTX840, short for use with cable clamps	2	LT750-AC	1SFN126101R1000	2
PSTX720 ... PSTX840, long for use with compression lugs	2	LT750-AL	1SFN126103R1000	2

FieldBusPlug connection accessory

For softstarter type	Type	Order code	Pkg qty
PSTX30 ... PSTX1250	PS-FBPA	1SFA896312R1002	1

I/O module, 24 V DC digital input

For softstarter type	Type	Order code	Pkg qty
PSTX30 ... PSTX1250	DX111-FBP,0	1SAJ611000R0101	1

Fieldbus Communication

11.8 Ordering details



PROFIBUS



DeviceNet



BACnet MS/TP



BACnet IP

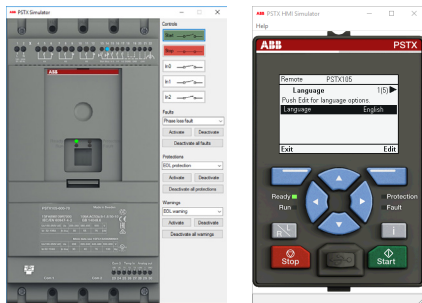
Anybus connection accessory for communication protocol suitable for PSTX30 ...PSTX1250

Article	Connection ports	Type	Order code
Profibus	1	AB-PROFIBUS-1	1SFA899300R1001
DeviceNet	1	AB-DEVICENET-1	1SFA899300R1002
Modbus-RTU ¹⁾	1	AB-MODBUS-RTU-1	1SFA899300R1003
BACnet IP	2	AB- BACNET-IP-2	1SFA899300R1004
EtherNet/IP	2	AB-ETHERNET-IP-2	1SFA899300R1006
Modbus/TCP	2	AB-MODBUS-TCP-2	1SFA899300R1008
Profinet	2	AB-PROFINET-IO-2	1SFA899300R1010
BACnet MS/TP	1	AB-BACNET-MSTP-1	1SFA899300R1011
EtherCAT	2	AB-ETHERCAT-IP-2	1SFA899300R1012
New CANopen	1	AB-CANopen-IO-1	1SFA899300R1013

¹⁾ only needed when Com 3-port is used with Extension I/O

Fieldbus Communication

11.8 Main softstarter tools



PSTX simulator

Software application for testing and learning more about PSTX softstarter. Simulate a motorstart in your computer an easy way to learn the menu and parameters.



SoftstarterCare™

Service engineer tool makes softstarter commissioning easy by plug-in your PSE or PSTX softstarter using a PC. Access all parameters, event logs and troubleshooting information.

Motor Management System – UMC100.3

11.9 Ordering Details

Description

Intelligent motor management system for single and three-phase motors with $I = 0.24 - 63$ A in one single device. Compact housing with integrated current transformer for cable cross section up to 25 mm^2 (max. \varnothing with Insulation 11 mm). Higher currents with additional external current transformer. Thermal overload protection according to EN/IEC 60947-4-1, selectable trip classes 5E, 10E, 20E, 30E, 40E.

Universal Motor Controller UMC100.3

Type	Description	Order code
UMC100.3 DC	Universal Motor Controller, 24 V DC	1SAJ530000R0100
UMC100.3 UC	Universal Motor Controller, 110-240 V AC/DC	1SAJ530000R1100
UMC100.3 DC EX	Universal Motor Controller, ATEX, 24 V DC	1SAJ530000R0200
UMC100.3 UC EX	Universal Motor Controller, ATEX, 110-240 V AC/DC	1SAJ530000R1200



UMC100.3 DC

Operating panel UMC100-PAN and Accessories

Type	Description	Order code
UMC100-PAN	Operating panel	1SAJ590000R0103
UMCPAN-CAB.070	0.7 m ext. cable with door mounting set	1SAJ510003R0002
UMCPAN-CAB.150	1.5 m ext. cable with door mounting set	1SAJ510004R0002
UMCPAN-CAB.300	3 m ext. cable with door mounting set	1SAJ510002R0002



UMC100-PAN

Expansion modules and Accessories

Type	Description	Order code
DX111	I/O module for UMC100, 24 V DC digital input	1SAJ611000R0101
DX122	I/O module for UMC100, 110 – 230 V AC digital input	1SAJ622000R0101
VI150	3 phase voltage module for grounded networks	1SAJ650000R0100
VI155	3 phase voltage module for all networks	1SAJ655000R0100
AI111	Analog/temperature module 3 analogue inputs	1SAJ613000R0101
UMCIO-CAB.030	Connection cable UMC100 - I/O module, length	1SAJ691000R0001
IOIO-CAB.030	Connection cable IO-module - IO-module, length 0,30 m	1SAJ692000R0001
UMCTB	Terminal set for UMC100.3 DC (spare parts)	1SAJ929160R0001
UMCTB	Terminal set for UMC100.3 UC (spare parts)	1SAJ929160R0002



DX111-FBP



VI150-FBP

Configuration software

Type	Description	Order code
UTP22-FBP	USB interface for PROFIBUS networks	1SAJ924013R0001
PBDTM-FBP.0	FIM device window edition	*FREE - see web link below
	FIM UMC edition, single user licence	1SAJ925000R0001

*The FIM device window edition can be downloaded from <https://new.abb.com/control-systems/fieldbus-solutions/fim>

Earth fault monitors CEM11-FBP for use with Universal Motor Controller

Type	Earth fault currents [mA]	Through-hole diameter	Order code
CEM11-FBP.20	80 ¹⁾ , 300, 550, 750, 1000, 1200, 1500, 1700	20 mm	1SAJ929200R0020
CEM11-FBP.35	100 ¹⁾ , 500, 1000, 1400, 2000, 2400, 3000, 3400	35 mm	1SAJ929200R0035
CEM11-FBP.60	120 ¹⁾ , 1000, 2000, 2800, 4000, 4800, 6000, 6800	60 mm	1SAJ929200R0060
CEM11-FBP.120	300 ¹⁾ , 2000, 4000, 5600, 8000, 9600, 12000, 13600	120 mm	1SAJ929200R0120

¹⁾ lower values have higher inaccuracy

Current transformers for use with Universal Motor Controller

Type	Current range	Order code
CT4L185R/4	60...185 A AC	1SAJ929500R0185
CT4L310R/4	180...310 A AC	1SAJ929500R0310
CT5L500R/4	300...500 A AC	1SAJ929501R0500
CT5L850R/4	500...850 A AC	1SAJ929501R0850



CT5L500R/4,
CT5L850R/4

Motor Management System – UMC100.3

11.10 Fieldbus Communication Interfaces, Ordering Details



PDP32.0



SMK3.0



MRP31.0



DNP31.0



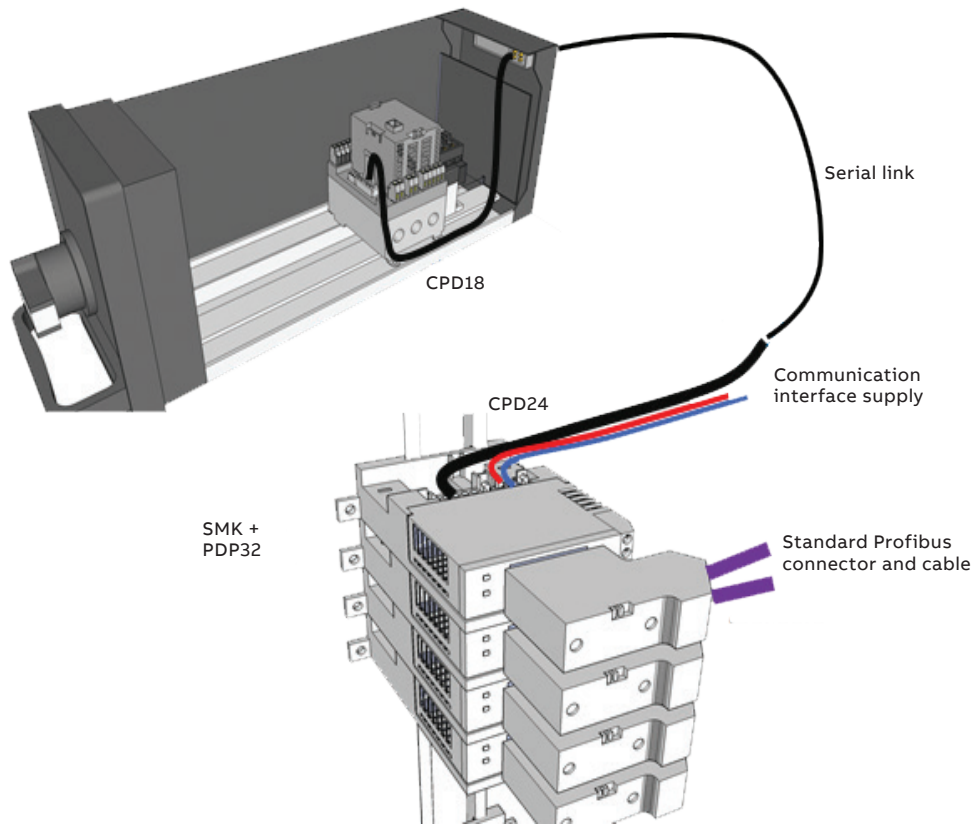
PDR31.0

Fieldbus communication interfaces

	Description	Order code
PDP32.0	Profibus DP communication interface	1SAJ242000R0001
MRP31.0	Modbus RTU communication interface; terminal block for fieldbus connection included	1SAJ251000R0001
DNP31.0	DeviceNet communication interface; terminal block for fieldbus connection included	1SAJ231000R0001
PDR31.0	Profibus DP active bus termination	1SAJ243000R0001

Fieldbus communication interfaces

	Description	Order code
SMK3.0	Adapter for separate mounting of a communication interface; terminal block for 24 V DC supply included	1SAJ929600R0001
CDP18.150	Cable for drawer inside, length 1.5 m	1SAJ929180R0015
CDP24.150	Cable from SMK3.0 to drawer outside, length	1SAJ929240R0015
SMK3-X2.10	Terminal block 2-pol for SMK3.0 supply / 10 pcs per pck. (spare parts)	1SAJ929610R0001
SMK3-X1.10	Terminal block 5-pol for SMK3.0 comm. / 10 pcs per pck. (spare parts)	1SAJ929620R0001



Motor Management System – UMC100.3

11.11 Ethernet Communication Interfaces, Ordering Details



PNU32



MTQ22

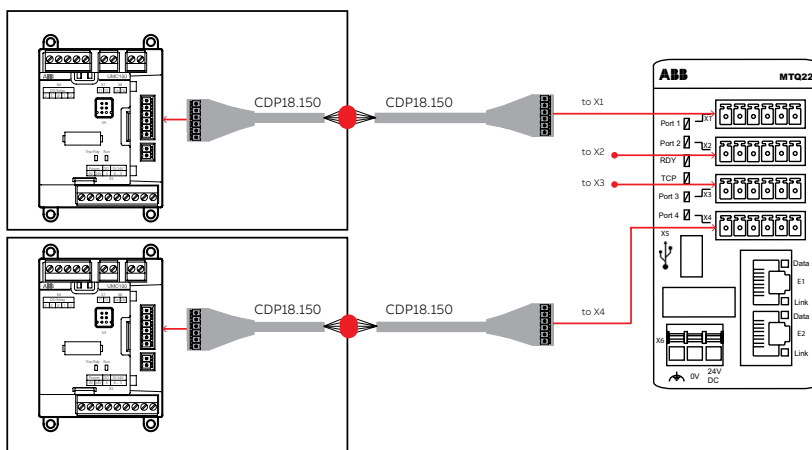
Ethernet communication interfaces

Description		Order code
MTQ22.0	Ethernet Modbus TCP interface	1SAJ260000R0100
PNQ22.0	Ethernet Profinet IO interface	1SAJ261000R0100
EIU32.0	EIU32.0 EtherNet/IP Interface	1SAJ262000R0100
PNU32.0	Ethernet Profinet IO interface	1SAJ263000R0100

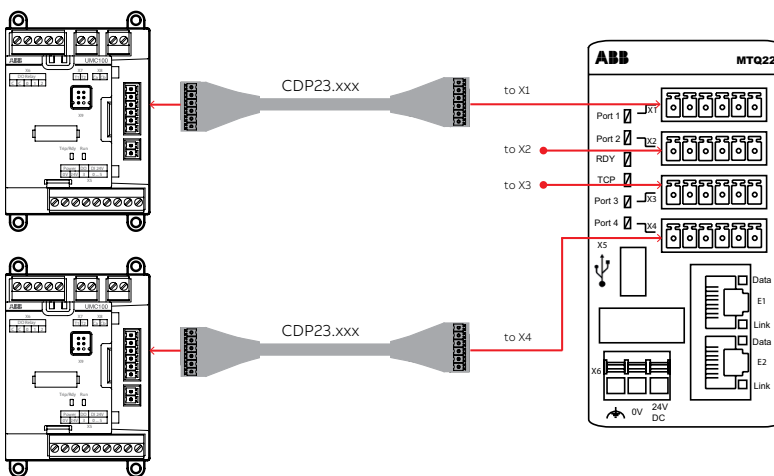
*Price on Request (POR). Please contact ABB.

Ethernet communication interfaces - Accessories

Description		Order code
CDP18.150	Cable for drawer in- and outside, length 1.5 m	1SAJ929180R0015
CDP23.150	Cable ethernet interface - UMC100.3, length 1.5 m	1SAJ929230R0015
CDP23.300	Cable ethernet interface – UMC100.3, length 3 mgth	1SAJ929230R0030
ETHTB-FBP.4	Terminal bloc for MTQ22/PNQ22 X1...X4, 4 pcs	1SAJ929200R0001
ETHTB-FBP.50	Terminal bloc for MTQ22/PNQ22 X1...X4, 50 pcs	1SAJ929200R0002



UMC100.3, withdrawable application with MTQ22 -FBP.0/PNQ22-FBP.0



UMC100.3, fix mounted application with solution MTQ22-FBP.0/PNQ22-FBP.0

Universal Motor Controller

11.12 UMC100-FBP, Ordering Details



UMC100-FBP



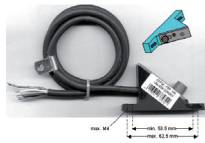
UMC100-PAN



CP-E 24/2.5



CP-S 24/5.0



CDP12-FBP



CDP13-FBP

Universal Motor Controller UMC100-FBP

Description	Order code
UMC100-FBP.0 Universal Motor Controller, 0.24 – 63 A	1SAJ520000R0101

Operating panel UMC100-PAN and Accessories

Description	Order code
UMC100-PAN Operating panel - Replaced all former UMC100 operator panels, fully compatible USB port for use with UMC100.3 only	1SAJ590000R0103
UMCPAN-CAB.300 3 m ext. cable with door mounting set	1SAJ510002R0002
UMCPAN-CAB.070 0.7 m ext. cable with door mounting set	1SAJ510003R0002
UMCPAN-CAB.150 1.5 m ext. cable with door mounting set	1SAJ510004R0002

Miscellaneous accessories

Description	Order code
CAL11-FBP.0 Addressing labels for FieldBusPlugs / 40 pcs	1SAJ929005R0001
CCC11-FBP.0 M12 covering caps for FieldBusPlugs / 10 pcs	1SAJ929006R0001

FieldBusPlug power supply unit

Description	Order code
CP-E 24/2.5 Power supply unit 24 V / 2.5 A	1SVR427032R0000
CP-S 24/5.0 Power supply unit 24 V / 5 A	1SVR427014R0000

Accessories for installation in control cabinet drawer systems

Description	Current range	Order code
CDP11-FBP.4 Passive plug fixing bracket for drawer systems / 4 pcs		1SAJ929100R0004
CDP12-FBP.100 Passive cable for drawer systems (outside), 1m		1SAJ929120R0001
CDP13-FBP.100 Passive cable for drawer systems (inside), 1m		1SAJ929110R0001

